



LineAr filter 100 K

Filter system for installation in
rainwater storage tanks and access shafts

Clean rainwater for house and garden

- filters rainwater from roof areas up to 200 m² in size (temperate climate zones)
- Only 5 cm height difference between inlet and outlet
- For installation in storage tank
- Self-cleaning, vertical filter mesh
- Horizontally aligned pipes DN 100
- Rainwater for toilet flushing, washing machine and garden



 made
in
Germany

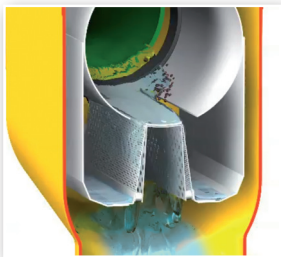


Minimum height difference, straight piping

Whether for new builds or retrofits: The space-saving LineAr filter 100 K is easy to plan and can be installed without any extra excavation work. There are just five centimeters height difference between the rainwater inlet and the dirty water outlet.

Thanks to this minimal height difference, the LineAr filter 100 K is extremely easy to integrate into existing pipework. It can even be placed directly inside a rainwater storage tank without changing the gradient of existing piping.

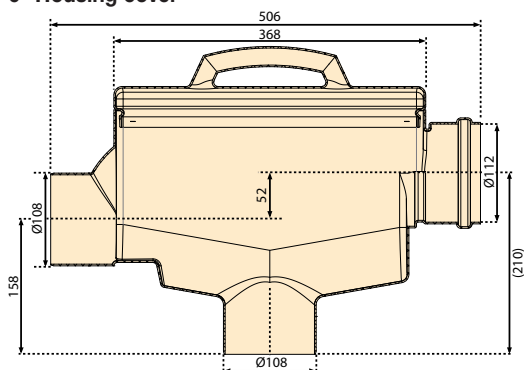
Particles are flushed past the vertical filter mesh and cannot stick to it. Water is filtered sideways by inherent adhesion power.



The filter insert is easy to remove for cleaning.



- 1 Filter housing
- 2 Filter insert
- 3 Rainwater inlet DN 100
- 4 Outlet to rainwater tank (filtered water) DN 100
- 5 Outlet DN 100 to soakaway or storm drain
- 6 Housing cover



All dimensions specified in mm

Installed in the access shaft of a flat tank.



Sophisticated design

WISY's LineAr filter 100 K has a vertical filter mesh. Leaves, moss and other suspended particles are simply flushed past the filter into the drain outlet. This is the crucial advantage of this design over filter surfaces that are almost horizontal and become clogged with dirt very quickly.

The pipe diameter is uniform throughout the LineAr filter 100 K.

Even a 100 mm diameter ball washed off the roof by rain can pass unhindered through the filter housing.

The harvested rainwater is not only clean, but naturally soft as well. Its quality is ideal for flushing toilets, washing laundry or watering the garden.

High-quality stainless steel with 5-year guarantee

The LineAr filter 100 K is a rugged unit and its Filter insert is made of stainless steel. It has no wearing or moving parts that could impair reliable operation of the system. We are pleased to offer a 5-year guarantee.

Technical data

Height difference between rainwater inlet and soakaway or storm drain outlet	52 mm
Filter mesh size	0,44 mm
Water yield at 1,4 l/sec.	> 90 %
Maintenance intervals	2 to 3 times per year
Diameter of connecting pipes Inlet socket Drain pipe	DN 100
Item number	LF 1200



WISY AG
D-63699 Kefenrod, Oberdorfstraße 26
Telefon +49 (0) 60 54-91 21-0

Fax +49 (0) 60 54-91 21-29
Internet: www.wisy.de
E-Mail: info@wisy.de